



## GL60

### Applications

- Door control system
- Road roller

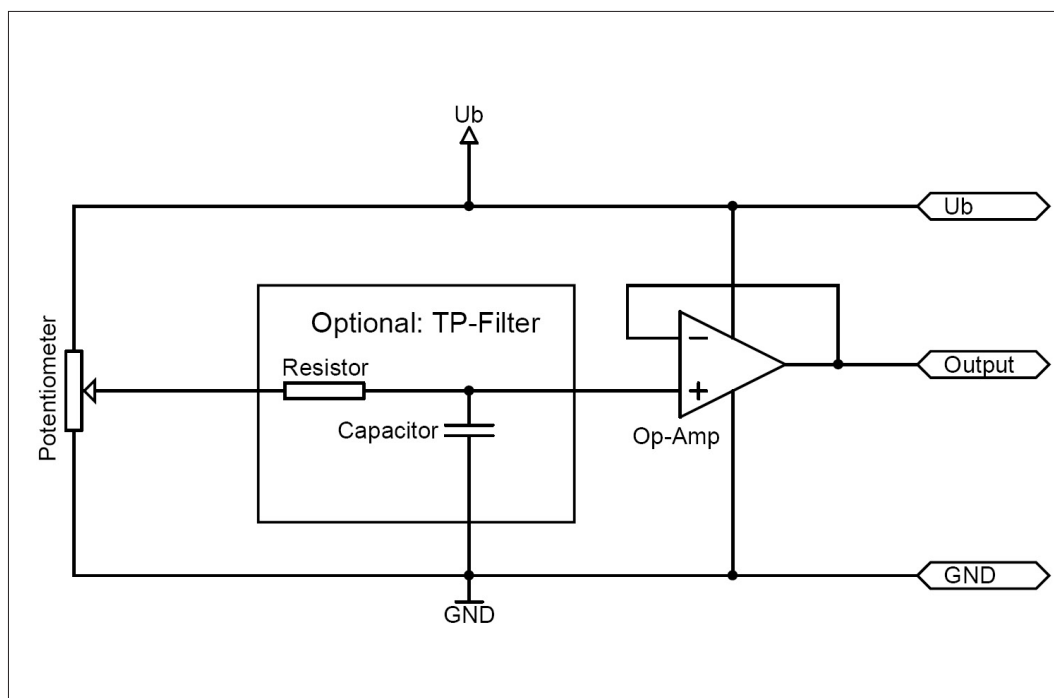
### Features

- Hollow shaft  $\varnothing$  6mm
- 10 Mio. movements
- Excellent linearity up to  $\pm 0.25\%$
- Very good resolution, better  $0,1^\circ$

### Options

- Resistance tolerance  $\pm 10\%$
- Special electrical angles
- Radial cable outlet
- Mechanical end-stop

Electrical Data		
Nominal resistance	kOhm	5/10
Resistance tolerance	%	$\pm 20$
Independent linearity	% of meas. range	$\pm 0.25$
Electrical angle	$^\circ$	150/354
Repeatability	$^\circ$	max. 0.1
Temperature coefficient of the voltage divider	ppm/ $^\circ\text{C}$	50
Recommended wiper current	$\mu\text{A}$	max. 1
Max. wiper current in case of malfunction	mA	10
Power rating P	W/40 $^\circ\text{C}$	max. 0.5
Min. life (electrical)	movements	20 Mio.
Mechanical Data		
Mechanical range	$^\circ$ (continuous)	360
Torque	Ncm	max. 0.5
Min. life (mechanical)	movements	10 Mio.
Operating temperature	$^\circ\text{C}$	-25 ... +75
Storage temperature	$^\circ\text{C}$	-25 ... +105
Protection class		IP63
Standards		
Insulating resistance (500 VDC, 1bar, 2s)	GOhm	10
Dielectric strength (VAC, 50Hz, 1min, 1bar)	kV	1
Vibration ( $A_{\text{max}} = 0.75\text{mm}$ , $f = 30 \dots 500$ Hz)	g	10
Shock	g	50



### Ideal potentiometer wiring

Our potentiometers should be ideally used as an unloaded voltage divider.

If the potentiometer is loaded, nonlinearities arise due to the load resistance and the contact resistance.

Errors and omissions excepted. Subject to change without notice. State: 04.03.19

Contelec AG  
 Portstrasse 38  
 CH-2503 Biel/Bienne  
 Telefon +41 (0)32 3665600  
 Telefax +41 (0)32 3665604  
 verkauf@contelec.ch

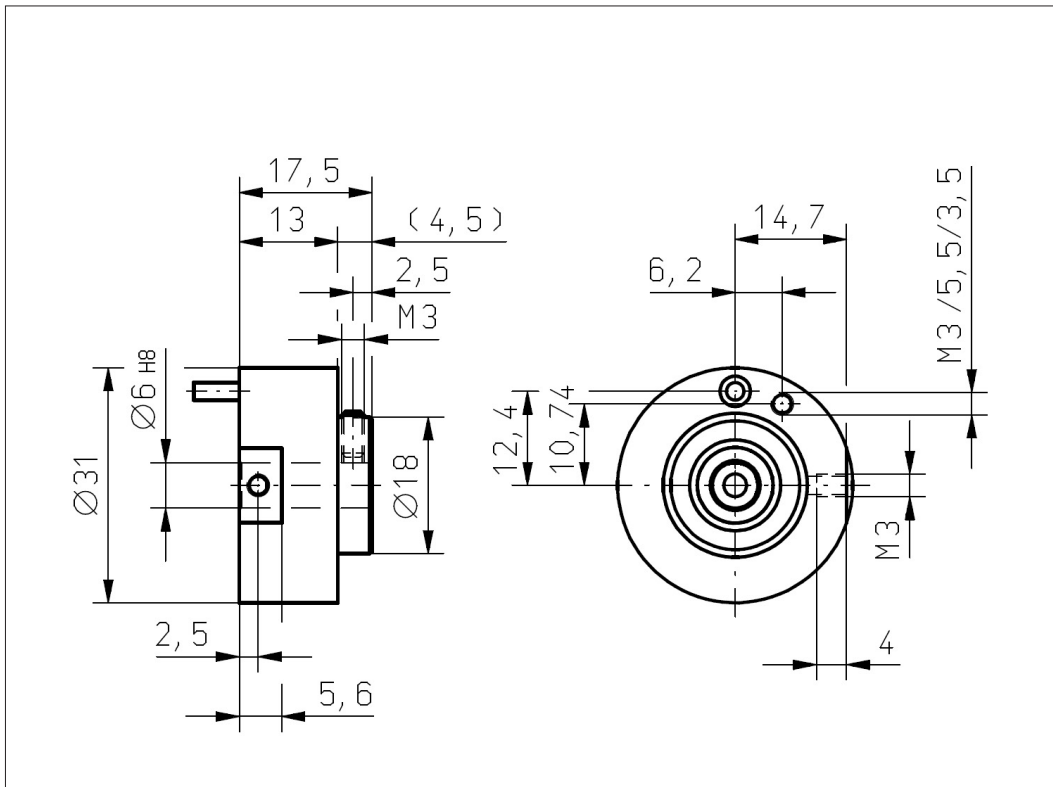
**CONTELEC**  
 A company of the Siedle-Group



**GL60**

**Accessories (incl.)**

- None



Errors and omissions excepted. Subject to change without notice. State: 04.03.19

Contelec AG  
 Portstrasse 38  
 CH-2503 Biel/Bienne  
 Phone +41 (0)32 3665600  
 Telefax +41 (0)32 3665604  
 sales@contelec.ch

**CONTELEC**  
 A company of the Siedle-Group



## GL100

### Applications

- Door control system
- Road roller

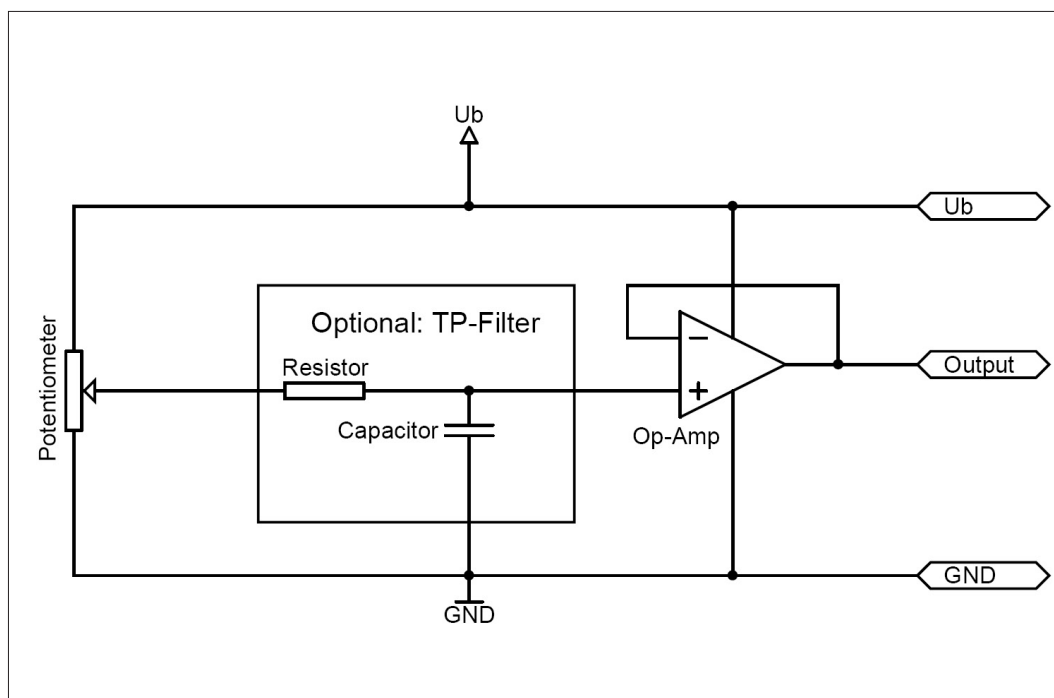
### Features

- Hollow shaft  $\varnothing$  10mm
- 10 Mio. movements
- Excellent linearity up to  $\pm 0.25\%$
- Very good resolution, better  $0,1^\circ$

### Options

- Resistance tolerance  $\pm 10\%$
- Special electrical angles
- Radial cable outlet
- Continuous

Electrical Data		
Nominal resistance	kOhm	5/10
Resistance tolerance	%	$\pm 20$
Independent linearity	% of meas. range	$\pm 0.25$
Electrical angle	$^\circ$	150/340
Repeatability	$^\circ$	max. 0.1
Temperature coefficient of the voltage divider	ppm/ $^\circ\text{C}$	50
Recommended wiper current	$\mu\text{A}$	max. 1
Max. wiper current in case of malfunction	mA	10
Power rating P	W/40 $^\circ\text{C}$	max. 0.5
Min. life (electrical)	movements	20 Mio.
Mechanical Data		
Mechanical range	$^\circ$	348
Torque	Ncm	max. 1.5
Min. life (mechanical)	movements	10 Mio.
Operating temperature	$^\circ\text{C}$	-25 ... +75
Storage temperature	$^\circ\text{C}$	-25 ... +105
Protection class		IP63
Standards		
Insulating resistance (500 VDC, 1bar, 2s)	GOhm	10
Dielectric strength (VAC, 50Hz, 1min, 1bar)	kV	1
Vibration ( $A_{\text{max}} = 0.75\text{mm}$ , $f = 30 \dots 500$ Hz)	g	10
Shock	g	50



### Ideal potentiometer wiring

Our potentiometers should be ideally used as an unloaded voltage divider.

If the potentiometer is loaded, nonlinearities arise due to the load resistance and the contact resistance.

Errors and omissions excepted. Subject to change without notice. State: 04.03.19

Contelec AG  
 Portstrasse 38  
 CH-2503 Biel/Bienne  
 Phone +41 (0)32 3665600  
 Telefax +41 (0)32 3665604  
 sales@contelec.ch

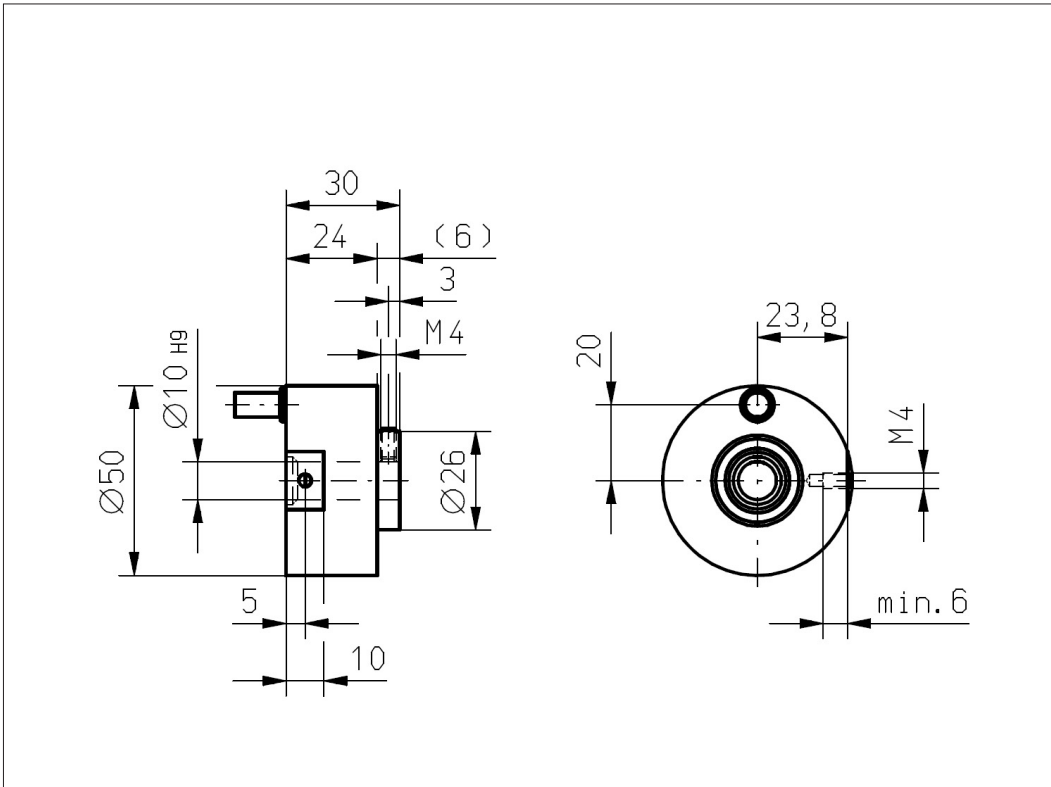
**CONTELEC**  
 A company of the Siedle-Group



**GL100**

**Accessories (incl.)**

- None



Errors and omissions excepted. Subject to change without notice. State: 04.03.19

Contelec AG  
 Portstrasse 38  
 CH-2503 Biel/Bienne  
 Phone +41 (0)32 3665600  
 Telefax +41 (0)32 3665604  
 sales@contelec.ch



## GL200

### Applications

- Door control system
- Road roller

### Features

- Hollow shaft  $\varnothing$  20mm
- 10 Mio. movements
- Excellent linearity up to  $\pm 0.25\%$
- Very good resolution, better  $0,1^\circ$

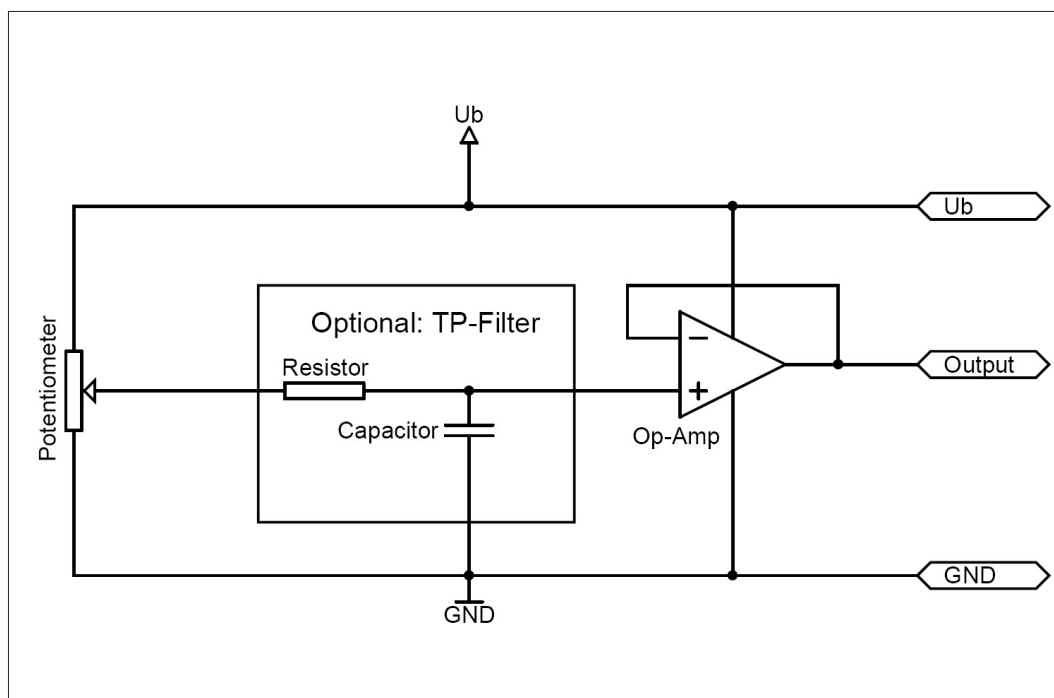
### Options

- Resistance tolerance  $\pm 10\%$
- Special electrical angles
- Radial cable outlet
- Continuous

Electrical Data		
Nominal resistance	kOhm	5/10
Resistance tolerance	%	$\pm 20$
Independent linearity	% of meas. range	$\pm 0.25$
Electrical angle	$^\circ$	150/340
Repeatability	$^\circ$	max. 0.1
Temperature coefficient of the voltage divider	ppm/ $^\circ\text{C}$	50
Recommended wiper current	$\mu\text{A}$	max. 1
Max. wiper current in case of malfunction	mA	10
Power rating P	W/40 $^\circ\text{C}$	max. 0.5
Min. life (electrical)	movements	20 Mio.

Mechanical Data		
Mechanical range	$^\circ$	346
Torque	Ncm	max. 6
Min. life (mechanical)	movements	10 Mio.
Operating temperature	$^\circ\text{C}$	-25 ... +75
Storage temperature	$^\circ\text{C}$	-25 ... +105
Protection class		IP63

Standards		
Insulating resistance (500 VDC, 1bar, 2s)	GOhm	10
Dielectric strength (VAC, 50Hz, 1min, 1bar)	kV	1
Vibration ( $A_{\text{max}} = 0.75\text{mm}$ , $f = 30 \dots 500$ Hz)	g	10
Shock	g	50



### Ideal potentiometer wiring

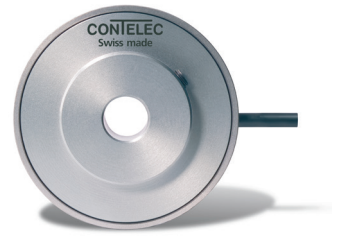
Our potentiometers should be ideally used as an unloaded voltage divider.

If the potentiometer is loaded, nonlinearities arise due to the load resistance and the contact resistance.

Errors and omissions excepted. Subject to change without notice. State: 04.03.19

Contelec AG  
 Portstrasse 38  
 CH-2503 Biel/Bienne  
 Phone +41 (0)32 3665600  
 Telefax +41 (0)32 3665604  
 sales@contelec.ch

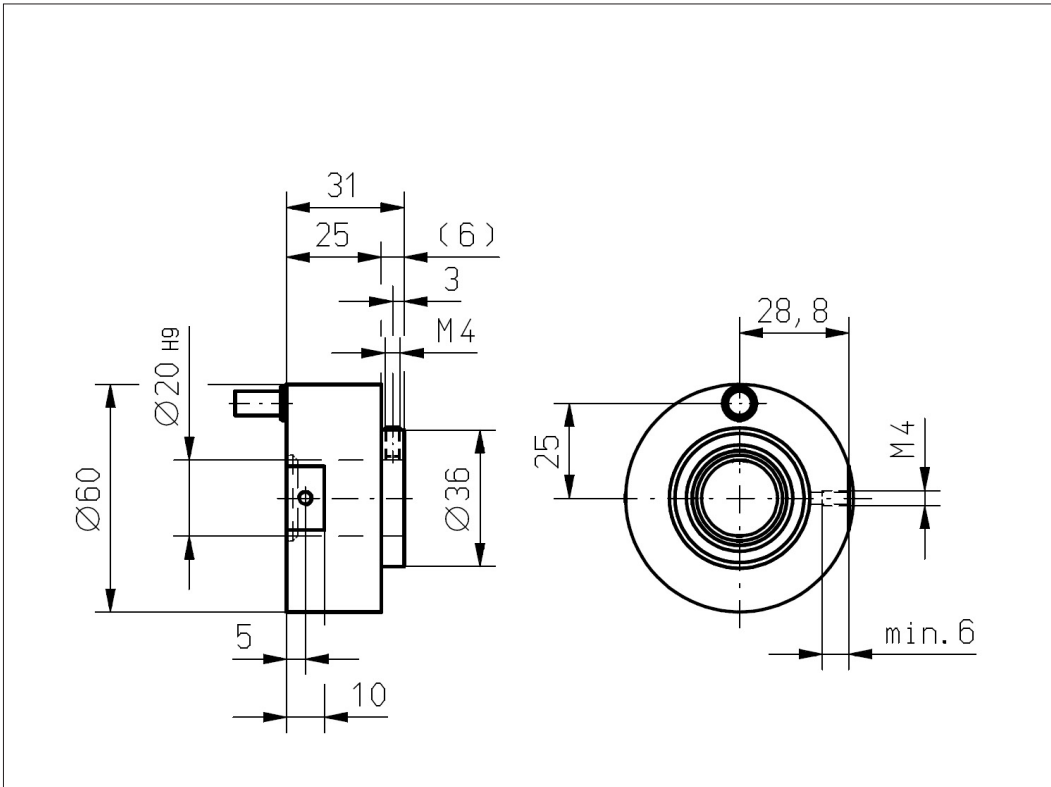
**CONTELEC**  
 A company of the Siedle-Group



## GL200

### Accessories (incl.)

- None



Errors and omissions excepted. Subject to change without notice. State: 04.03.19

Contelec AG  
 Portstrasse 38  
 CH-2503 Biel/Bienne  
 Phone +41 (0)32 3665600  
 Telefax +41 (0)32 3665604  
 sales@contelec.ch

**CONTELEC**  
 A company of the Siedle-Group



## GL300

### Applications

- Door control system
- Road roller

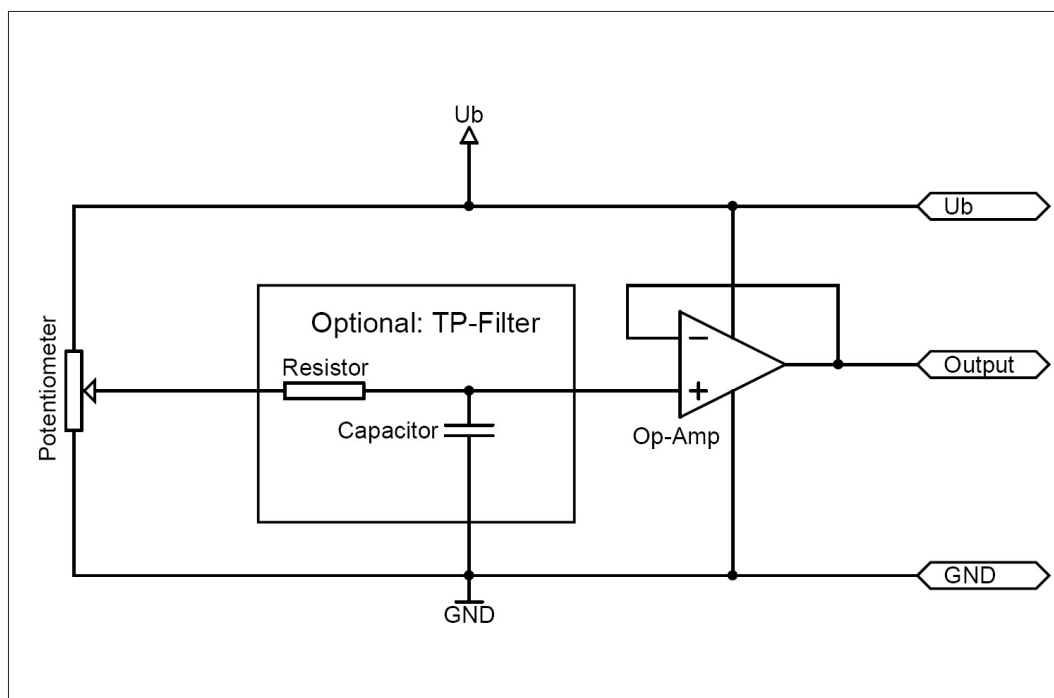
### Features

- Hollow shaft  $\varnothing$  30mm
- 10 Mio. movements
- Excellent linearity up to  $\pm 0.25\%$
- Very good resolution, better  $0,1^\circ$

### Options

- Resistance tolerance  $\pm 10\%$
- Special electrical angles
- Radial cable outlet
- Continuous

Electrical Data		
Nominal resistance	kOhm	10/20
Resistance tolerance	%	$\pm 20$
Independent linearity	% of meas. range	$\pm 0.25$
Electrical angle	$^\circ$	150/340
Repeatability	$^\circ$	max. 0.1
Temperature coefficient of the voltage divider	ppm/ $^\circ\text{C}$	50
Recommended wiper current	$\mu\text{A}$	max. 1
Max. wiper current in case of malfunction	mA	10
Power rating P	W/40 $^\circ\text{C}$	max. 0.5
Min. life (electrical)	movements	20 Mio.
Mechanical Data		
Mechanical range	$^\circ$	348
Torque	Ncm	max. 6
Min. life (mechanical)	movements	10 Mio.
Operating temperature	$^\circ\text{C}$	-25 ... +75
Storage temperature	$^\circ\text{C}$	-25 ... +105
Protection class		IP63
Standards		
Insulating resistance (500 VDC, 1bar, 2s)	GOhm	10
Dielectric strength (VAC, 50Hz, 1min, 1bar)	kV	1
Vibration ( $A_{\text{max}} = 0.75\text{mm}$ , $f = 30 \dots 500$ Hz)	g	10
Shock	g	50



### Ideal potentiometer wiring

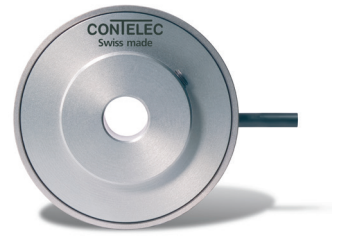
Our potentiometers should be ideally used as an unloaded voltage divider.

If the potentiometer is loaded, nonlinearities arise due to the load resistance and the contact resistance.

Errors and omissions excepted. Subject to change without notice. State: 04.03.19

Contelec AG  
 Portstrasse 38  
 CH-2503 Biel/Bienne  
 Phone +41 (0)32 3665600  
 Telefax +41 (0)32 3665604  
 sales@contelec.ch

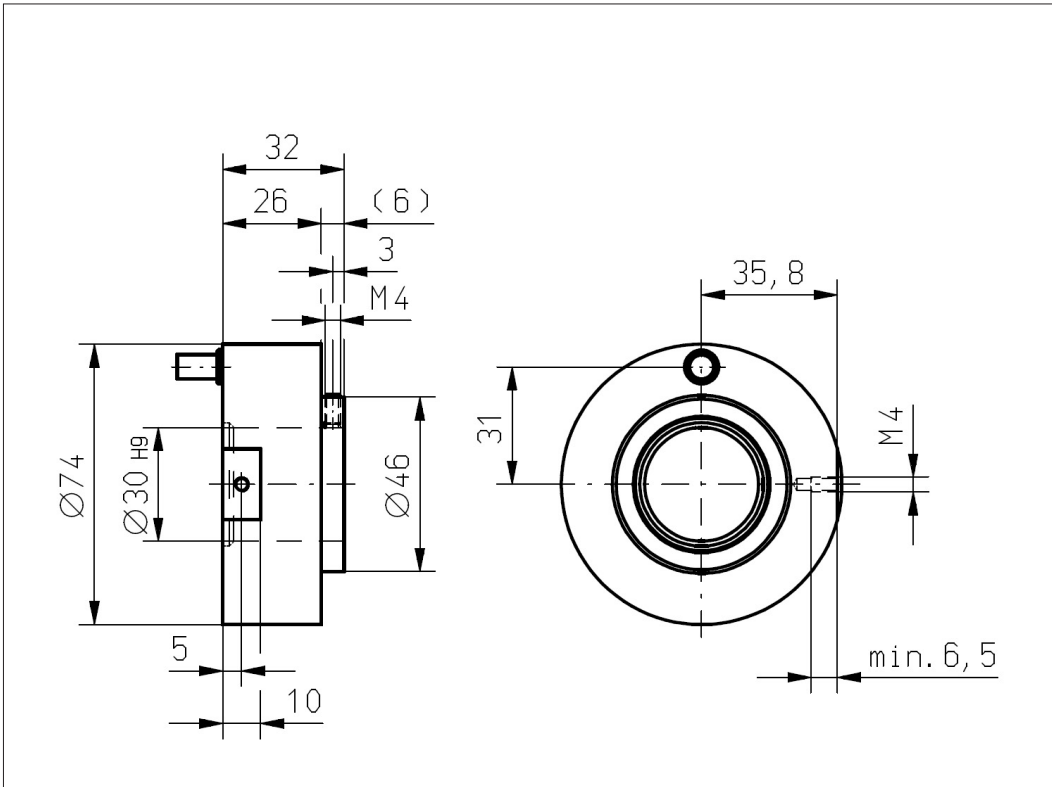
**CONTELEC**  
 A company of the Siedle-Group



**GL300**

**Accessories (incl.)**

- None



Errors and omissions excepted. Subject to change without notice. State: 04.03.19

Contelec AG  
 Portstrasse 38  
 CH-2503 Biel/Bienne  
 Phone +41 (0)32 3665600  
 Telefax +41 (0)32 3665604  
 sales@contelec.ch

**CONTELEC**  
 A company of the Siedle-Group





## GL400

### Applications

- Door control system
- Road roller

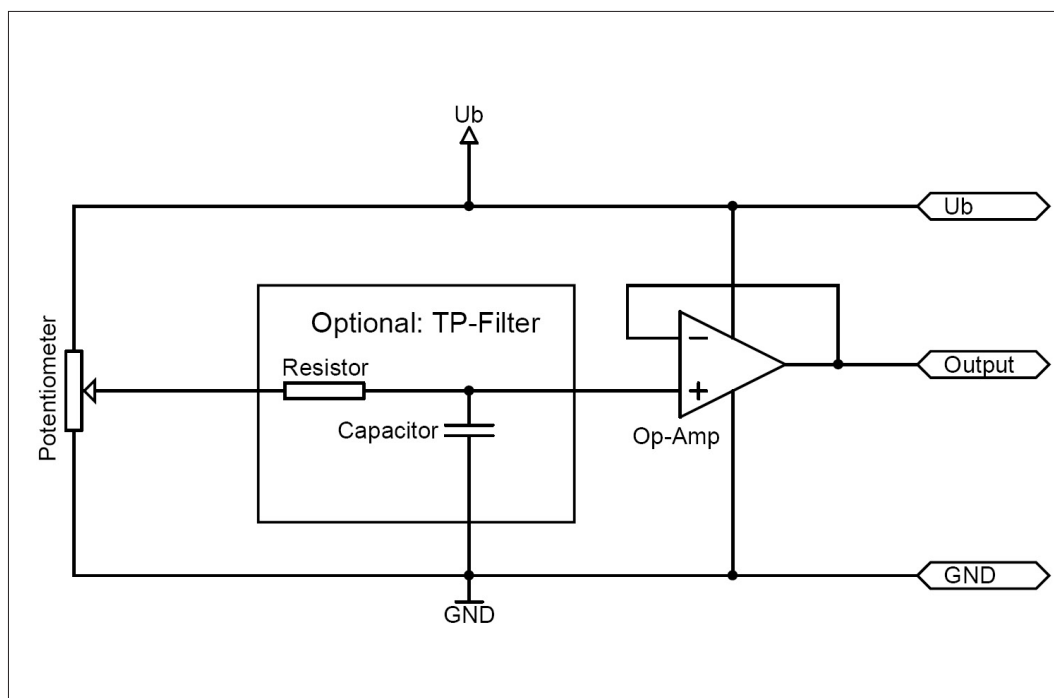
### Features

- Hollow shaft  $\varnothing$  40mm
- 10 Mio. movements
- Excellent linearity up to  $\pm 0.25\%$
- Very good resolution, better  $0,1^\circ$

### Options

- Resistance tolerance  $\pm 10\%$
- Special electrical angles
- Radial cable outlet
- Continuous

Electrical Data		
Nominal resistance	kOhm	10/20
Resistance tolerance	%	$\pm 20$
Independent linearity	% of meas. range	$\pm 0.25$
Electrical angle	$^\circ$	150/340
Repeatability	$^\circ$	max. 0.1
Temperature coefficient of the voltage divider	ppm/ $^\circ\text{C}$	50
Recommended wiper current	$\mu\text{A}$	max. 1
Max. wiper current in case of malfunction	mA	10
Power rating P	W/40 $^\circ\text{C}$	max. 0.5
Min. life (electrical)	movements	20 Mio.
Mechanical Data		
Mechanical range	$^\circ$	350
Torque	Ncm	max. 15
Min. life (mechanical)	movements	10 Mio.
Operating temperature	$^\circ\text{C}$	-25 ... +75
Storage temperature	$^\circ\text{C}$	-25 ... +105
Protection class		IP63
Standards		
Insulating resistance (500 VDC, 1bar, 2s)	GOhm	10
Dielectric strength (VAC, 50Hz, 1min, 1bar)	kV	1
Vibration ( $A_{\text{max}} = 0.75\text{mm}$ , $f = 30 \dots 500$ Hz)	g	10
Shock	g	50



### Ideal potentiometer wiring

Our potentiometers should be ideally used as an unloaded voltage divider.

If the potentiometer is loaded, nonlinearities arise due to the load resistance and the contact resistance.

Errors and omissions excepted. Subject to change without notice. State: 04.03.19

Contelec AG  
 Portstrasse 38  
 CH-2503 Biel/Bienne  
 Phone +41 (0)32 3665600  
 Telefax +41 (0)32 3665604  
 sales@contelec.ch

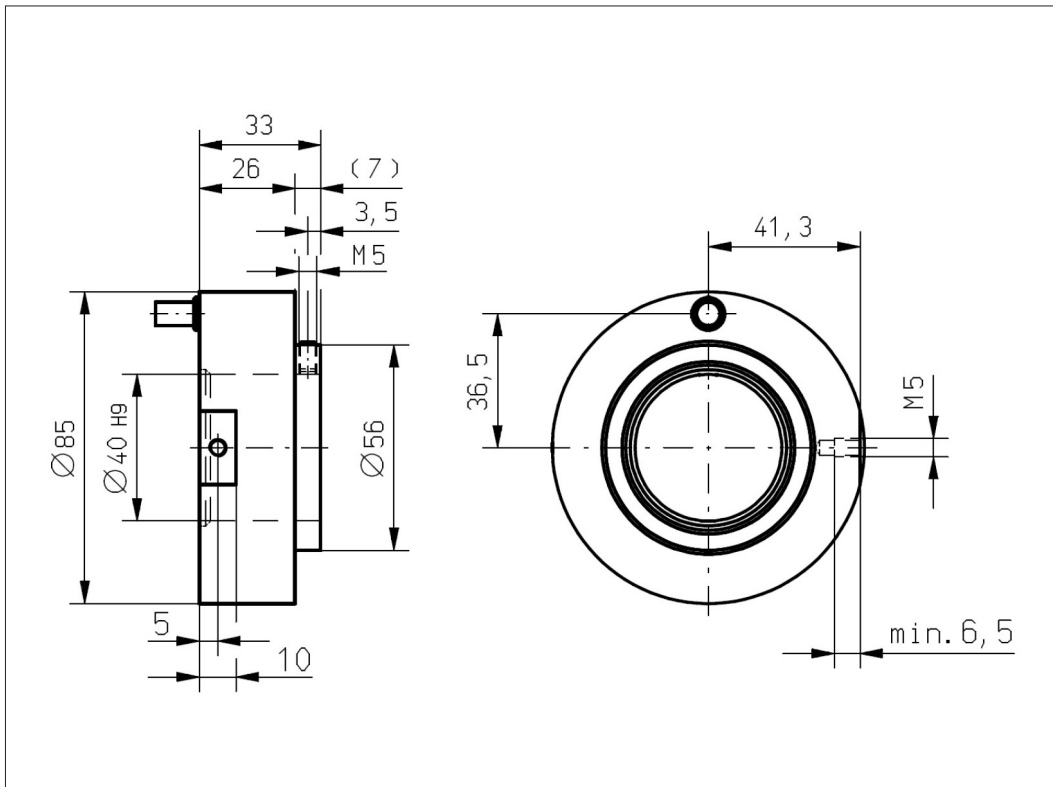
**CONTELEC**  
 A company of the Siedle-Group



## GL400

### Accessories (incl.)

- None



Errors and omissions excepted. Subject to change without notice. State: 04.03.19

Contelec AG  
 Portstrasse 38  
 CH-2503 Biel/Bienne  
 Phone +41 (0)32 3665600  
 Telefax +41 (0)32 3665604  
 sales@contelec.ch

**CONTELEC**  
 A company of the Siedle-Group



## GL500

### Applications

- Door control system
- Road roller

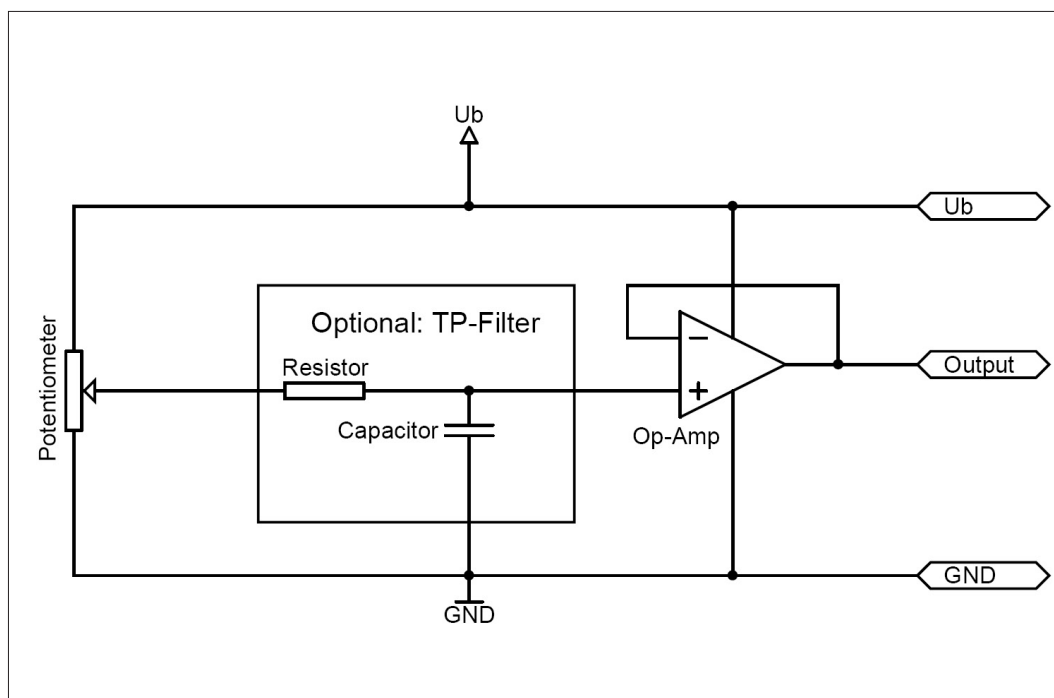
### Features

- Hollow shaft  $\varnothing$  50mm
- 10 Mio. movements
- Excellent linearity up to  $\pm 0.25\%$
- Very good resolution, better  $0,1^\circ$

### Options

- Resistance tolerance  $\pm 10\%$
- Special electrical angles
- Radial cable outlet
- Continuous

Electrical Data		
Nominal resistance	kOhm	10/20
Resistance tolerance	%	$\pm 20$
Independent linearity	% of meas. range	$\pm 0.25$
Electrical angle	$^\circ$	150/340
Repeatability	$^\circ$	max. 0.1
Temperature coefficient of the voltage divider	ppm/ $^\circ\text{C}$	50
Recommended wiper current	$\mu\text{A}$	max. 1
Max. wiper current in case of malfunction	mA	10
Power rating P	W/40 $^\circ\text{C}$	max. 0.5
Min. life (electrical)	movements	20 Mio.
Mechanical Data		
Mechanical range	$^\circ$	350
Torque	Ncm	max. 15
Min. life (mechanical)	movements	10 Mio.
Operating temperature	$^\circ\text{C}$	-25 ... +75
Storage temperature	$^\circ\text{C}$	-25 ... +105
Protection class		IP63
Standards		
Insulating resistance (500 VDC, 1bar, 2s)	GOhm	10
Dielectric strength (VAC, 50Hz, 1min, 1bar)	kV	1
Vibration ( $A_{\text{max}} = 0.75\text{mm}$ , $f = 30 \dots 500$ Hz)	g	10
Shock	g	50



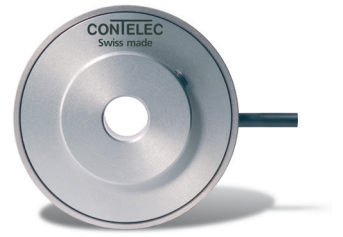
### Ideal potentiometer wiring

Our potentiometers should be ideally used as an unloaded voltage divider. If the potentiometer is loaded, nonlinearities arise due to the load resistance and the contact resistance.

Errors and omissions excepted. Subject to change without notice. State: 04.03.19

Contelec AG  
 Portstrasse 38  
 CH-2503 Biel/Bienne  
 Phone +41 (0)32 3665600  
 Telefax +41 (0)32 3665604  
 sales@contelec.ch

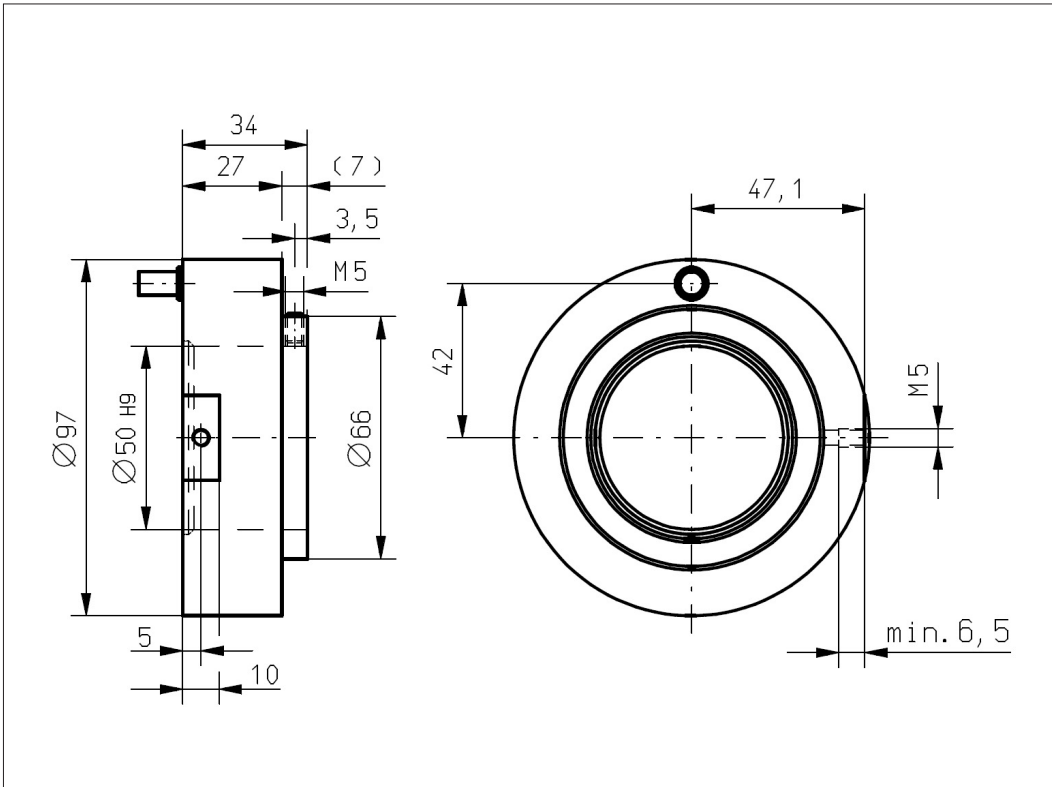
**CONTELEC**  
 A company of the Siedle-Group



**GL500**

**Accessories (incl.)**

- None



Errors and omissions excepted. Subject to change without notice. State: 04.03.19

Contelec AG  
 Portstrasse 38  
 CH-2503 Biel/Bienne  
 Phone +41 (0)32 3665600  
 Telefax +41 (0)32 3665604  
 sales@contelec.ch