



Electrical Data		
Nominal resistance	kOhm	1/5/10
Resistance tolerance	%	±20
Independent linearity	% of meas. range	±2
Electrical angle	°	2160
Repeatability	°	3.6
Temperature coefficient of the voltage divider	ppm/°C	50
Recommended wiper current	µA	max. 1
Max. wiper current in case of malfunction	mA	5
Power rating P	W/40°C	0.5
Min. life (electrical)	turns	15 Mio.
Mechanical Data		
Mechanical range	turns	6
Adjusting speed	°/s	max. 1800
Min. life (mechanical)	turns	15 Mio.
Operating temperature	°C	-25 ... +75
Storage temperature	°C	-25 ... +105
Protection class		IP65
Standards		
Insulating resistance (500 VDC, 1bar, 2s)	GOhm	1
Dielectric strength (VAC, 50Hz, 1min, 1bar)	kV	1
Vibration (Amax = 0.75mm, f = 30...2000 Hz)	g	10
Shock (half sine pulse, 7 ms)	g	30

ML06

Applications

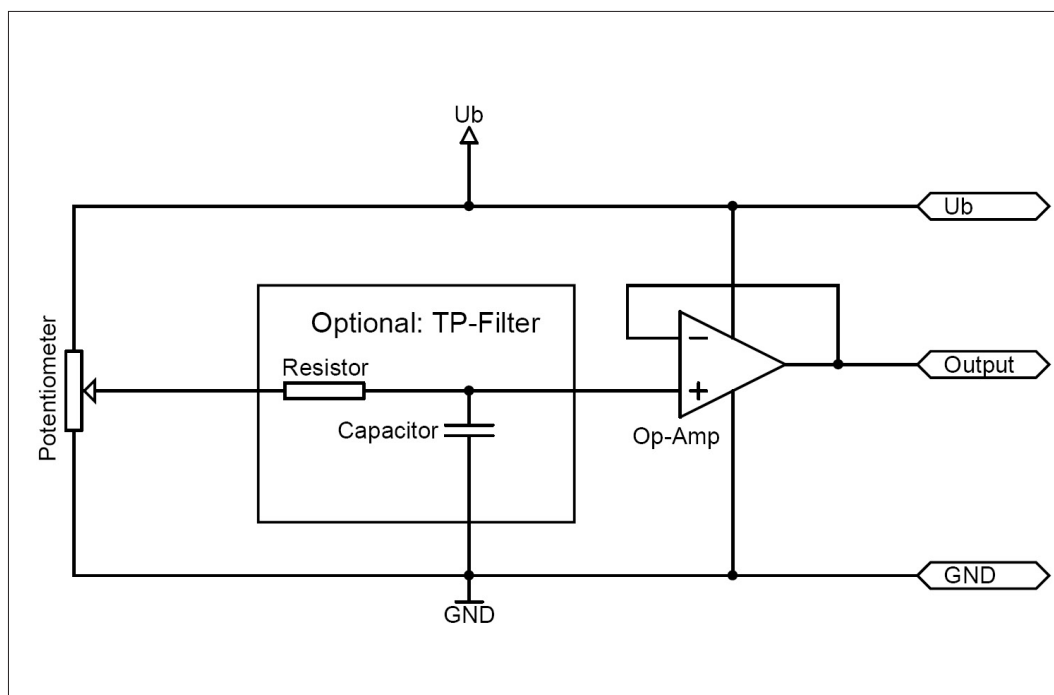
- Fork-lifter

Features

- Small dimensions
- 6 turns
- Friction clutch on mechanical end-stops (continuous)
- 15 Mio. turns
- Very good resolution, better 0,1%

Options

- Shaft diameter 6.35 mm (max. length 25 mm)
- Shaft diameter 3 mm (max. length 10 mm)
- Customer specific cable length
- Tandem-ganged potentiometer
- Wiper protection resistance
- Connection by wires



Ideal potentiometer wiring

Our potentiometers should be ideally used as an unloaded voltage divider.

If the potentiometer is loaded, nonlinearities arise due to the load resistance and the contact resistance.

Errors and omissions excepted. Subject to change without notice. State: 06.03.19

Contelec AG
 Portstrasse 38
 CH-2503 Biel/Bienne
 Phone +41 (0)32 3665600
 Telefax +41 (0)32 3665604
 sales@contelec.ch

CONTELEC
 A company of the Siedle-Group



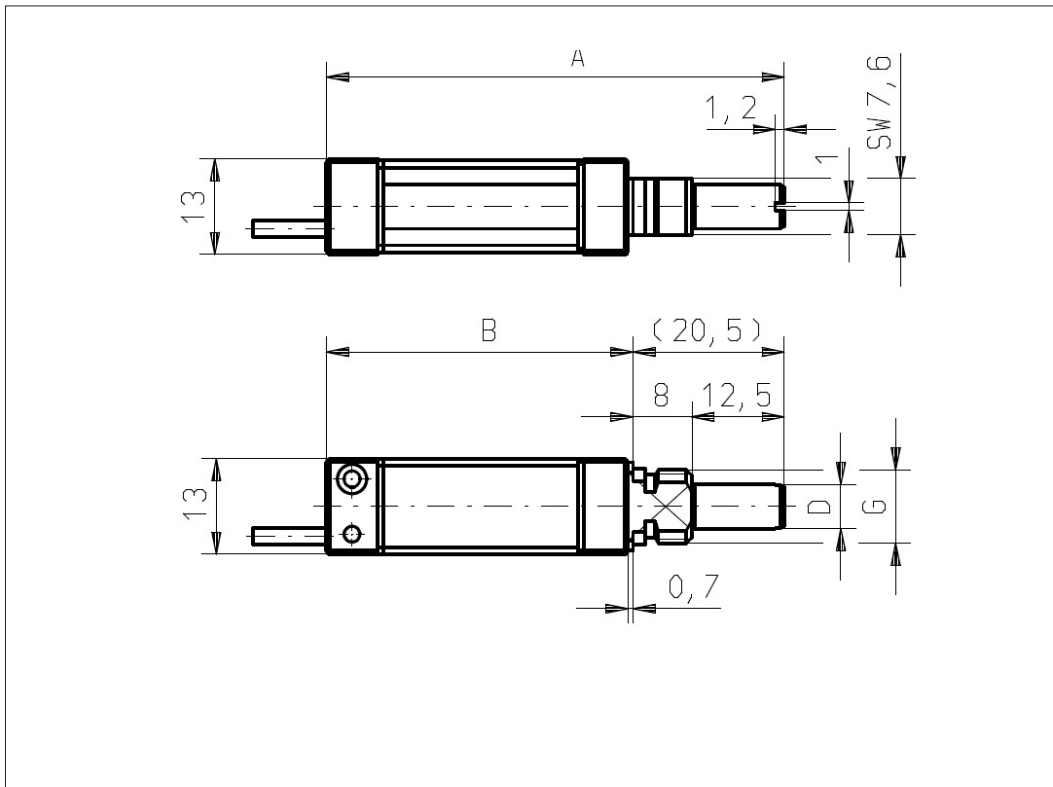
ML06

Accessoires (incl.)

- 1x Nut M10x0.75 / SW13
- 1x Serrated lock washer

Dimensions

Bushing (G): M10x0.75
 Shaft-Ø (D): 6mm h7
 Length A: 62.6mm
 Length B: 41.7mm



Errors and omissions excepted. Subject to change without notice. State: 06.03.19

Contelec AG
 Portstrasse 38
 CH-2503 Biel/Bienne
 Phone +41 (0)32 3665600
 Telefax +41 (0)32 3665604
 sales@contelec.ch

CONTELEC
 A company of the Siedle-Group



Electrical Data		
Nominal resistance	kOhm	1/5/10
Resistance tolerance	%	±20
Independent linearity	% of meas. range	±0.5
Electrical angle	°	3240
Repeatability	°	3.24
Temperature coefficient of the voltage divider	ppm/°C	50
Recommended wiper current	µA	max. 1
Max. wiper current in case of malfunction	mA	5
Power rating P	W/40°C	0.25
Min. life (electrical)	turns	15 Mio.
Mechanical Data		
Mechanical range	turns	10
Adjusting speed	°/s	max. 1800
Min. life (mechanical)	turns	15 Mio.
Operating temperature	°C	-25 ... +75
Storage temperature	°C	-25 ... +105
Protection class		IP65
Standards		
Insulating resistance (500 VDC, 1bar, 2s)	GOhm	1
Dielectric strenght (VAC, 50Hz, 1min, 1bar)	kV	1
Vibration (Amax = 0.75mm, f = 30...2000 Hz)	g	10
Shock (half sine pulse, 7 ms)	g	30

ML10

Applications

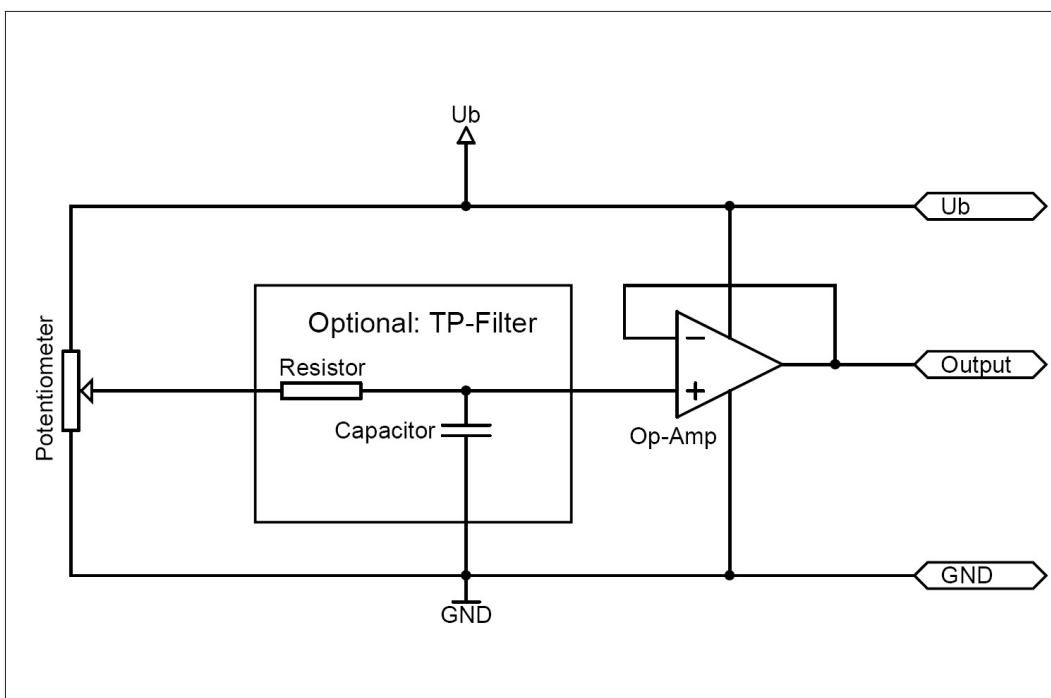
- Fork-lifter

Features

- Small dimensions
- 10 turns
- Friction clutch on mechanical end-stops (continuous)
- 15 Mio. turns
- Excellent linearity
- Very good resolution, better 0,1%

Options

- Shaft diameter 6.35 mm (max. length 25 mm)
- Shaft diameter 3 mm (max. length 10 mm)
- Customer specific cable length
- Tandem-ganged potentiometer
- Wiper protection resistance
- Connection by wires



Ideal potentiometer wiring

Our potentiometers should be ideally used as an unloaded voltage divider.

If the potentiometer is loaded, nonlinearities arise due to the load resistance and the contact resistance.

Errors and omissions excepted. Subject to change without notice. State: 06.03.19

Contelec AG
 Portstrasse 38
 CH-2503 Biel/Bienne
 Phone +41 (0)32 3665600
 Telefax +41 (0)32 3665604
 sales@contelec.ch

CONTELEC
 A company of the Siedle-Group



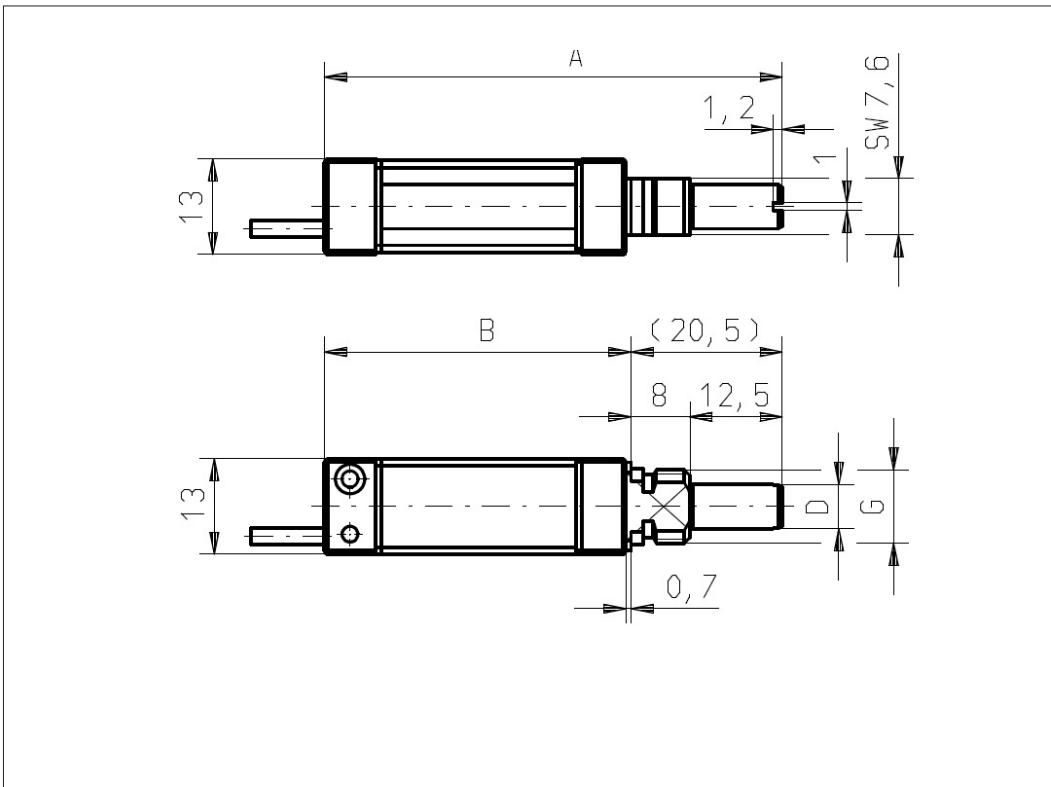
ML10

Accessoires (incl.)

- 1x Nut M10x0.75 / SW13
- 1x Serrated lock washer

Dimensions

Bushing (G): M10x0.75
 Shaft-Ø (D): 6mm h7
 Length A: 62.6mm
 Length B: 41.7mm



Errors and omissions excepted. Subject to change without notice. State: 06.03.19

Contelec AG
 Portstrasse 38
 CH-2503 Biel/Bienne
 Phone +41 (0)32 3665600
 Telefax +41 (0)32 3665604
 sales@contelec.ch

CONTELEC
 A company of the Siedle-Group



Electrical Data		
Nominal resistance	%	±20
Resistance tolerance	%	±20
Independent linearity	% of meas. range	±0.25
Electrical angle	°	8280
Repeatability	°	3.32
Temperature coefficient of the voltage divider	ppm/°C	50
Recommended wiper current	µA	max. 1
Max. wiper current in case of malfunction	mA	5
Power rating P	W/40°C	0.25
Min. life (electrical)	turns	15 Mio.
Mechanical Data		
Mechanical range	turns	25
Adjusting speed	°/s	max. 1800
Min. life (mechanical)	turns	15 Mio.
Operating temperature	°C	-25 ... +75
Storage temperature	°C	-25 ... +105
Protection class		IP65
Standards		
Insulating resistance (500 VDC, 1bar, 2s)	GOhm	1
Dielectric strength (VAC, 50Hz, 1min, 1bar)	kV	1
Vibration (Amax = 0.75mm, f = 30...2000 Hz)	g	10
Shock (half sine pulse, 7 ms)	g	30

ML25

Applications

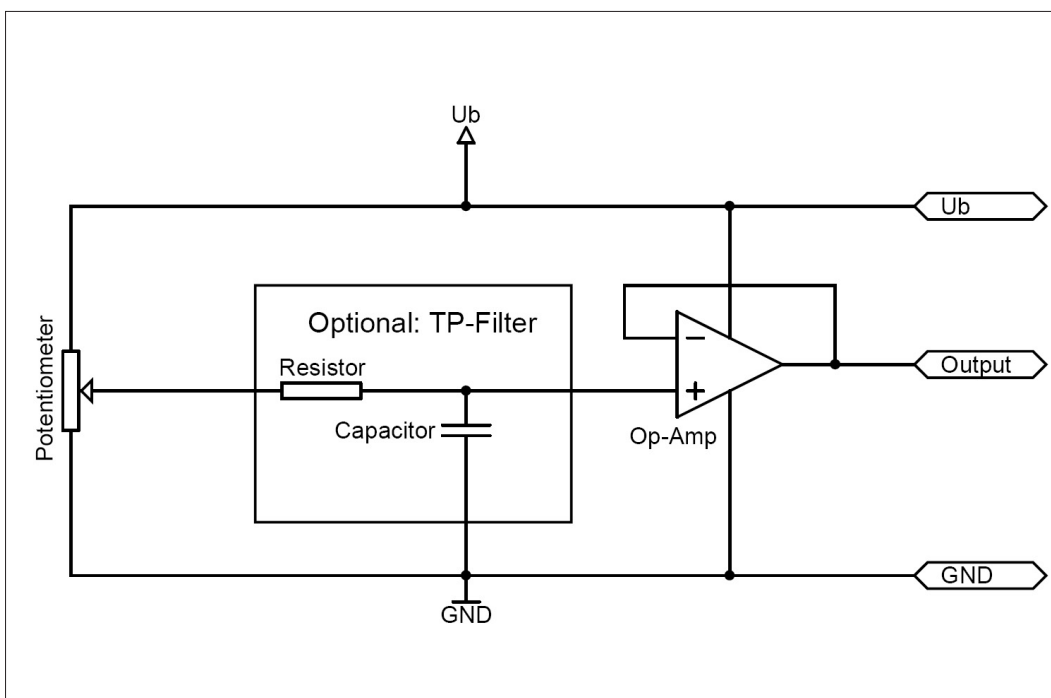
- Fork-lifter

Features

- Small dimensions
- 25 turns
- Friction clutch on mechanical end-stops (continuous)
- 15 Mio. turns
- Excellent linearity
- Very good resolution, better 0,1%

Options

- Shaft diameter 6.35 mm (max. length 25 mm)
- Shaft diameter 3 mm (max. length 10 mm)
- Customer specific cable length
- Tandem-ganged potentiometer
- Wiper protection resistance
- Connection by wires



Ideal potentiometer wiring

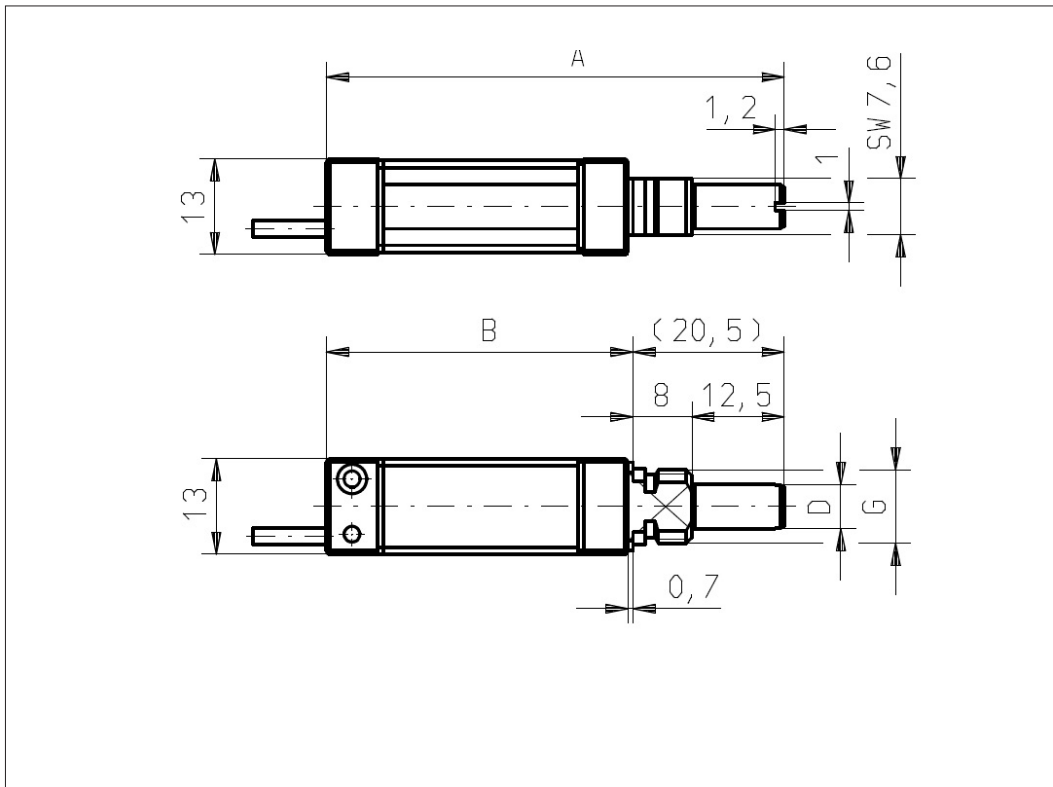
Our potentiometers should be ideally used as an unloaded voltage divider.

If the potentiometer is loaded, nonlinearities arise due to the load resistance and the contact resistance.

Errors and omissions excepted. Subject to change without notice. State: 06.03.19

Contelec AG
 Portstrasse 38
 CH-2503 Biel/Bienne
 Phone +41 (0)32 3665600
 Telefax +41 (0)32 3665604
 sales@contelec.ch

CONTELEC
 A company of the Siedle-Group



ML25

Accessoires (incl.)

- 1x Nut M10x0.75 / SW13
- 1x Serrated lock washer

Dimensions

Bushing (G): M10x0.75
 Shaft-Ø (D): 6mm h7
 Length A: 77.2mm
 Length B: 56.7mm

Errors and omissions excepted. Subject to change without notice. State: 06.03.19

Contelec AG
 Portstrasse 38
 CH-2503 Biel/Bienne
 Phone +41 (0)32 3665600
 Telefax +41 (0)32 3665604
 sales@contelec.ch

CONTELEC
 A company of the Siedle-Group



Electrical Data		
Nominal resistance	kOhm	1/5/10
Resistance tolerance	%	±20
Independent linearity	% of meas. range	±0.25
Electrical angle	°	17280
Repeatability	°	3.46
Temperature coefficient of the voltage divider	ppm/°C	50
Recommended wiper current	µA	max. 1
Max. wiper current in case of malfunction	mA	5
Power rating P	W/40°C	0.25
Min. life (electrical)	turns	15 Mio.
Mechanical Data		
Mechanical range	turns	50
Adjusting speed	°/s	max. 1800
Min. life (mechanical)	turns	15 Mio.
Operating temperature	°C	-25 ... +75
Storage temperature	°C	-25 ... +105
Protection class		IP65
Standards		
Insulating resistance (500 VDC, 1bar, 2s)	GOhm	1
Dielectric strength (VAC, 50Hz, 1min, 1bar)	kV	1
Vibration (Amax = 0.75mm, f = 30...2000 Hz)	g	10
Shock (half sine pulse, 7 ms)	g	30

ML50

Applications

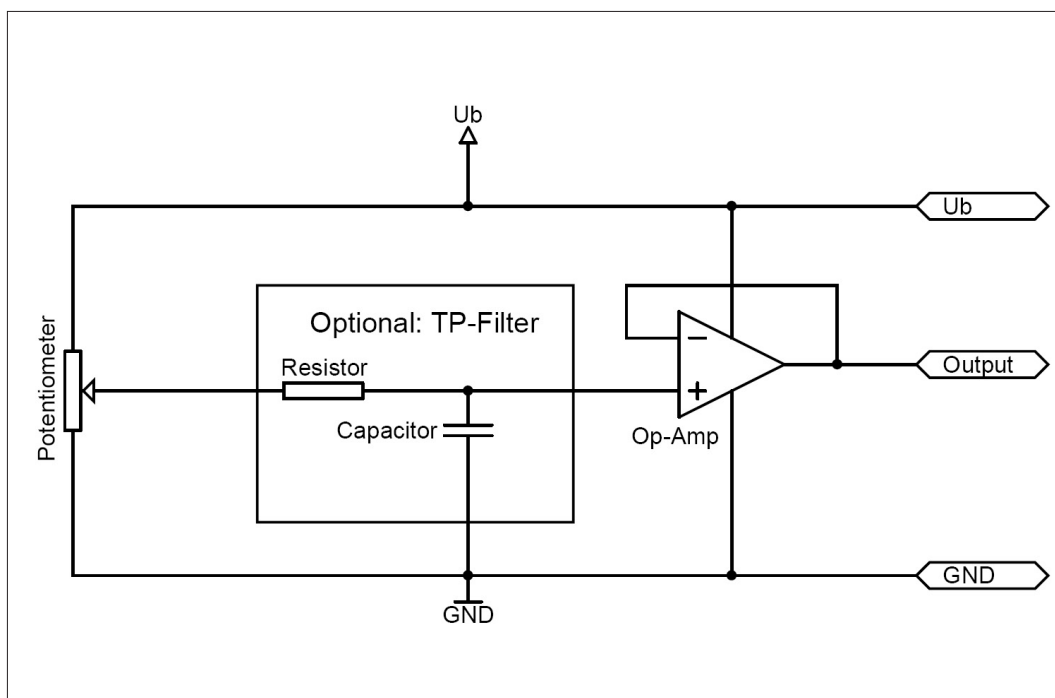
- Fork-lifter

Features

- Small dimensions
- 50 turns
- Friction clutch on mechanical end-stops (continuous)
- 15 Mio. turns
- Excellent linearity
- Very good resolution, better 0,1%

Options

- Shaft diameter 6.35 mm (max. length 25 mm)
- Shaft diameter 3 mm (max. length 10 mm)
- Customer specific cable length
- Tandem-ganged potentiometer
- Wiper protection resistance
- Connection by wires



Ideal potentiometer wiring

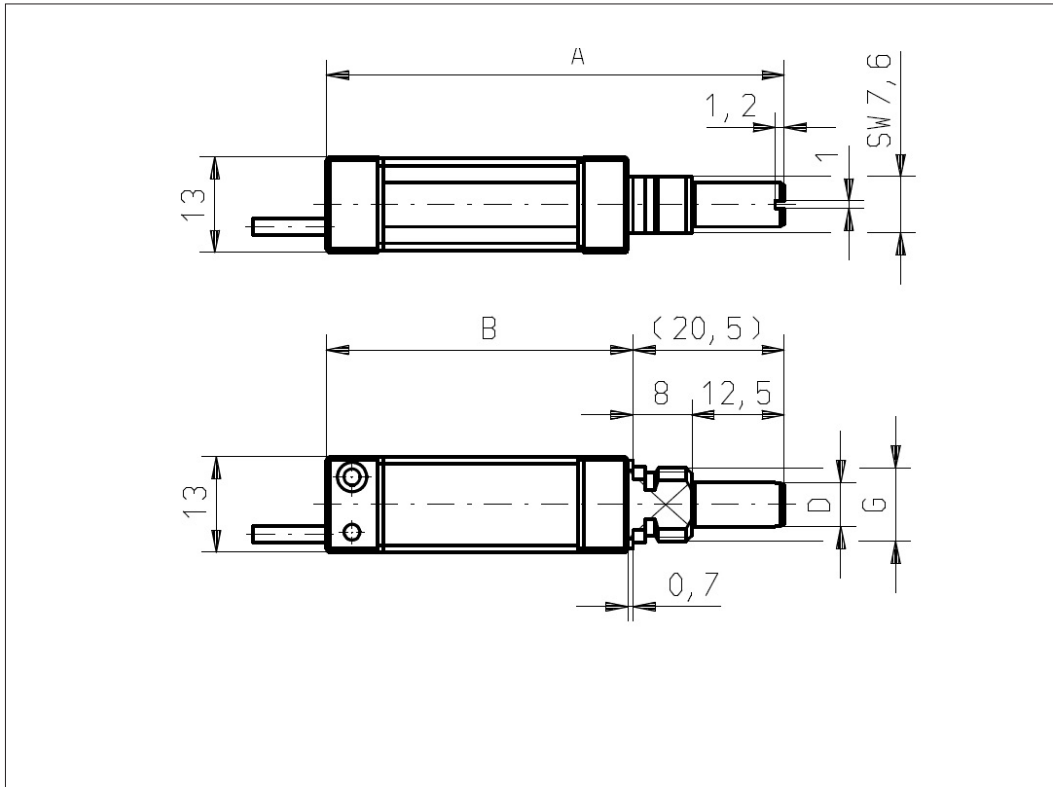
Our potentiometers should be ideally used as an unloaded voltage divider.

If the potentiometer is loaded, nonlinearities arise due to the load resistance and the contact resistance.

Errors and omissions excepted. Subject to change without notice. State: 06.03.19

Contelec AG
 Portstrasse 38
 CH-2503 Biel/Bienne
 Phone +41 (0)32 3665600
 Telefax +41 (0)32 3665604
 sales@contelec.ch

CONTELEC
 A company of the Siedle-Group



ML50

Accessoires (incl.)

- 1x Nut M10x0.75 / SW13
- 1x Serrated lock washer

Dimensions

Bushing (G): M10x0.75
 Shaft-Ø (D): 6mm h7
 Length A: 102.2mm
 Length B: 81.7mm

Errors and omissions excepted. Subject to change without notice. State: 06.03.19

Contelec AG
 Portstrasse 38
 CH-2503 Biel/Bienne
 Phone +41 (0)32 3665600
 Telefax +41 (0)32 3665604
 sales@contelec.ch

CONTELEC
 A company of the Siedle-Group



Electrical Data		
Nominal resistance	kOhm	1/5/10
Resistance tolerance	%	±20
Independent linearity	% of meas. range	±0.25
Electrical angle	°	34560
Repeatability	°	3.46
Temperature coefficient of the voltage divider	ppm/°C	50
Recommended wiper current	µA	max. 1
Max. wiper current in case of malfunction	mA	5
Power rating P	W/40°C	0.25
Min. life (electrical)	turns	15 Mio.
Mechanical Data		
Mechanical range	turns	100
Adjusting speed	°/s	max. 1800
Min. life (mechanical)	turns	15 Mio.
Operating temperature	°C	-25 ... +75
Storage temperature	°C	-25 ... +105
Protection class		IP65
Standards		
Insulating resistance (500 VDC, 1bar, 2s)	GOhm	1
Dielectric strength (VAC, 50Hz, 1min, 1bar)	kV	1
Vibration (Amax = 0.75mm, f = 30...2000 Hz)	g	10
Shock (half sine pulse, 7 ms)	g	30

ML100

Applications

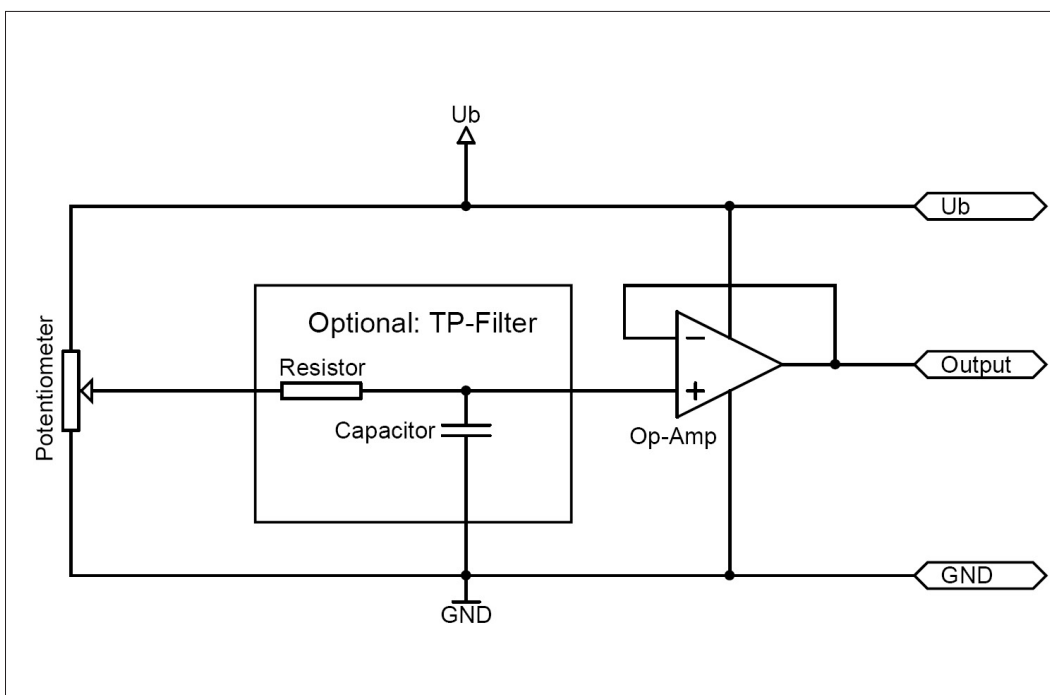
- Fork-lifter

Features

- Small dimensions
- 100 turns
- Friction clutch on mechanical end-stops (continuous)
- 15 Mio. turns
- Excellent linearity
- Very good resolution, better 0,1%

Options

- Shaft diameter 6.35 mm (max. length 25 mm)
- Shaft diameter 3 mm (max. length 10 mm)
- Customer specific cable length
- Tandem-ganged potentiometer
- Wiper protection resistance
- Connection by wires



Ideal potentiometer wiring

Our potentiometers should be ideally used as an unloaded voltage divider.

If the potentiometer is loaded, nonlinearities arise due to the load resistance and the contact resistance.

Errors and omissions excepted. Subject to change without notice. State: 06.03.19

Contelec AG
 Portstrasse 38
 CH-2503 Biel/Bienne
 Phone +41 (0)32 3665600
 Telefax +41 (0)32 3665604
 sales@contelec.ch

CONTELEC
 A company of the Siedle-Group



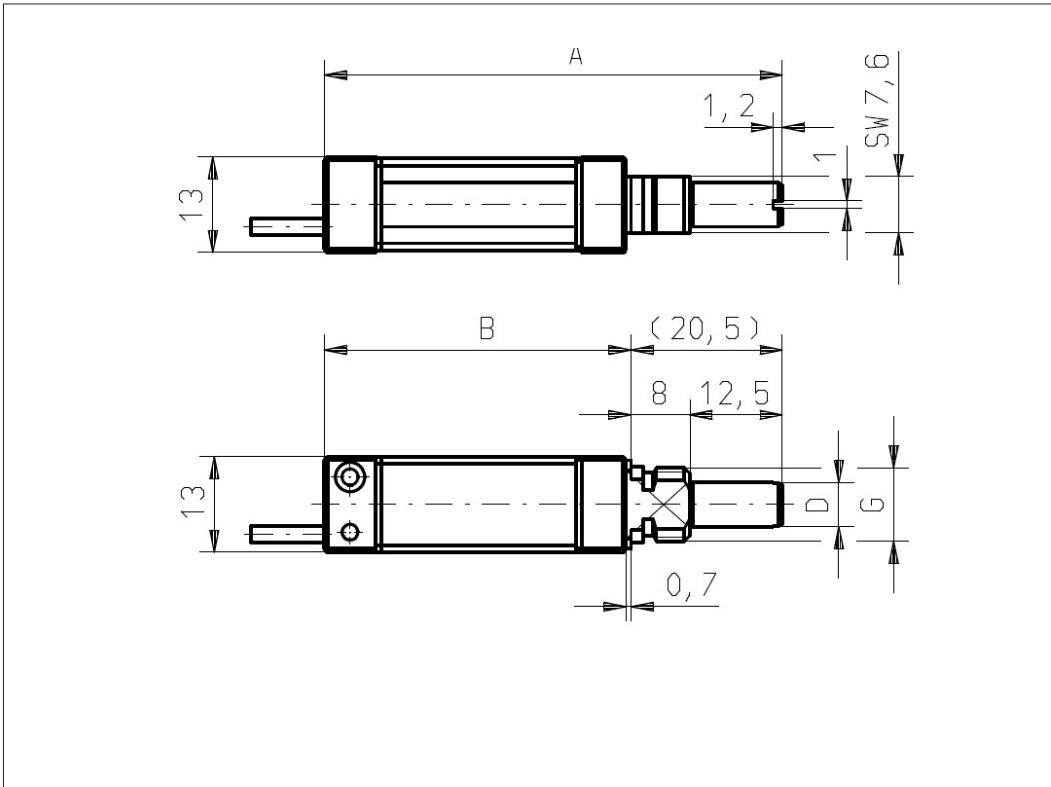
ML100

Accessoires (incl.)

- 1x Nut M10x0.75 / SW13
- 1x Serrated lock washer

Dimensions

Bushing (G): M10x0.75
 Shaft-Ø (D): 6mm h7
 Length A: 102.2mm
 Length B: 81.7mm



Errors and omissions excepted. Subject to change without notice. State: 06.03.19

Contelec AG
 Portstrasse 38
 CH-2503 Biel/Bienne
 Phone +41 (0)32 3665600
 Telefax +41 (0)32 3665604
 sales@contelec.ch

CONTELEC
 A company of the Siedle-Group